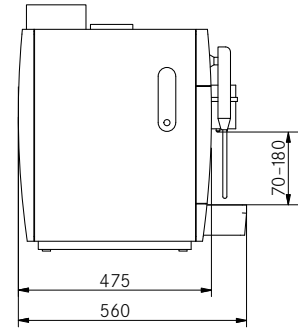
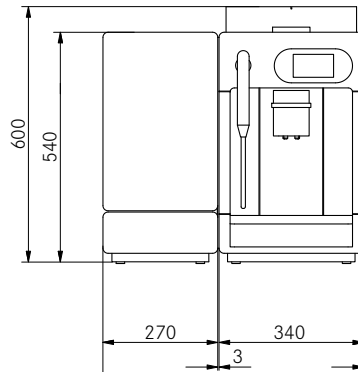
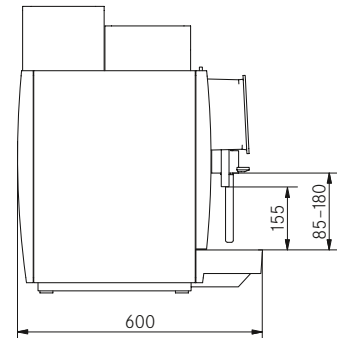
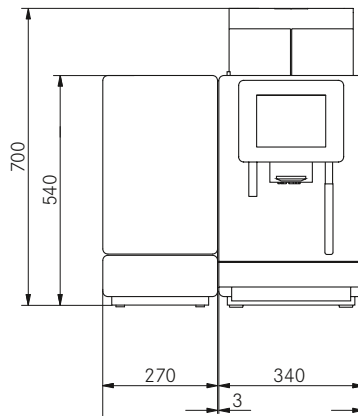


Technical Requirements

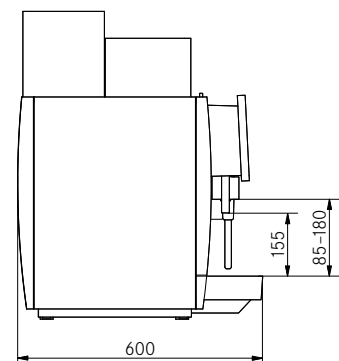
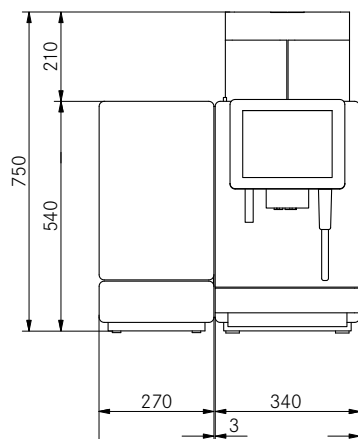
Franke A200/A400/A600



Franke A200 | Dimensions



Franke A400 | Dimensions



Franke A600 | Dimensions

Noted by _____
Name _____
Signature _____
Date _____

Technical Requirements

Franke A200/A400/A600



	Franke A200	Franke A400	Franke A600
DIMENSION			
Adjustable feet: 40mm or 100mm options (recommended) (see next page for individual dimensions)	✓	✓	✓
POWER			
Coffee machine – 15amp	✓	✓	✓
Side Fridge – 10amp	✓	✓	✓
Power needs to be within 1.5m of machine, on an independent circuit with an RCD.	✓	✓	✓
Extension cables or connectors cannot be used	✓	✓	✓
Service staff cannot perform any electrical work or upgrades outside of the supplies equipment	✓	✓	✓
It is the responsibility of the client to ensure the correct cabling and power outlets are according to Australian Standards	✓	✓	✓
WATER & FILTRATION			
Option 1 – Internal water tank	✓	✓	N/A
Option 2 – Cold Water supply with dedicated 1/2-inch male shut off valve and a	✓	✓	✓
350KpA pressure limiting valve	✓	✓	✓
Water filter required with anti-hammer / pressure reduction valve	✓	✓	✓
Water pressure between 0.8 – 8.0 bar	✓	✓	✓
WASTE			
Option 1 – Drip tray	✓	✓	N/A
Option 2* – (see hole dimensions for each machine)	✓	✓	✓
Open Tundish located 100mm beneath benchtop hole.	✓	✓	✓
300mm fall from tundish going into a dismantlable P-Trap	✓	✓	✓
60mm hole is required underneath the machine, in the bench top for waste / power / water services located:	60mm	100mm	60mm
• 70mm from the right of the coffee machine	• 70mm	• 170mm	• 170mm
• 50mm from the back of the machine	• 50mm	• 160mm	• 150mm

Noted by Name _____
 Signature _____
 Date _____